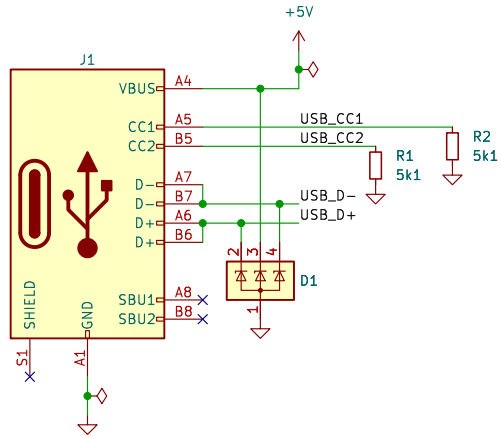
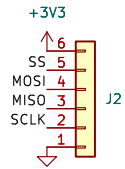


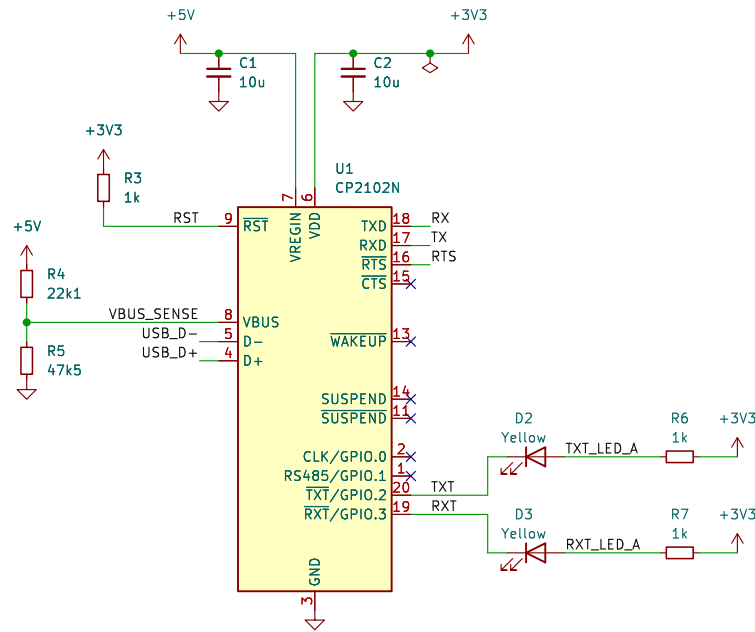
USB-C



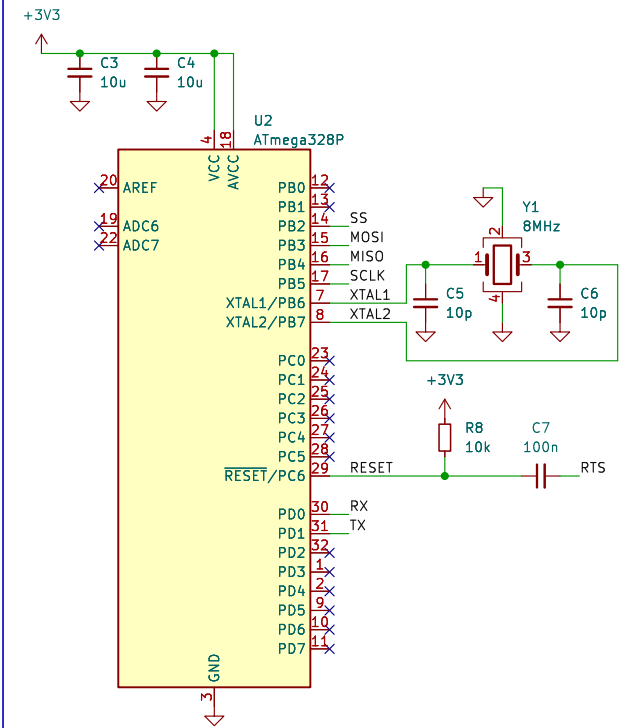
Header



UART



Microcontroller



This work is licensed under a Creative Commons Attribution-ShareAlike 4.0 International License.

Martin Vladkov Sotirov <martin@libtec.org>

LibTec.org

Sheet: /

File: spi_flasher.kicad_sch

Title: SPI-FLASHER

Size: A4 Date: 2023-09-27

KiCad E.D.A. kicad 7.0.7

Rev: 2

Id: 1/1