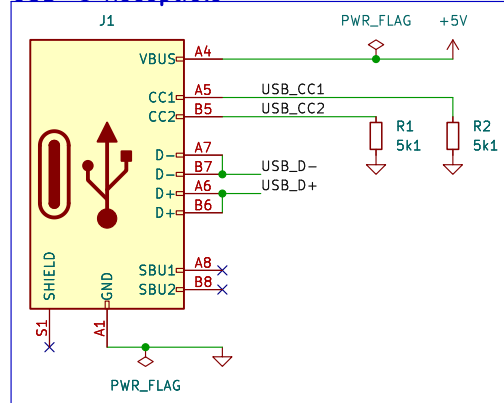
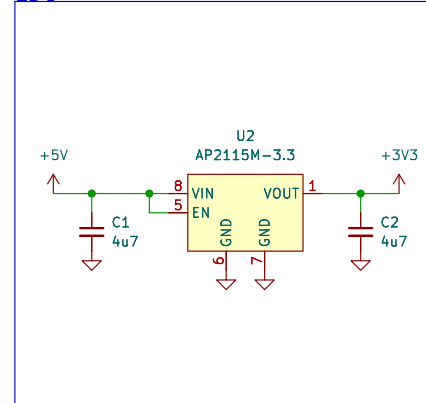


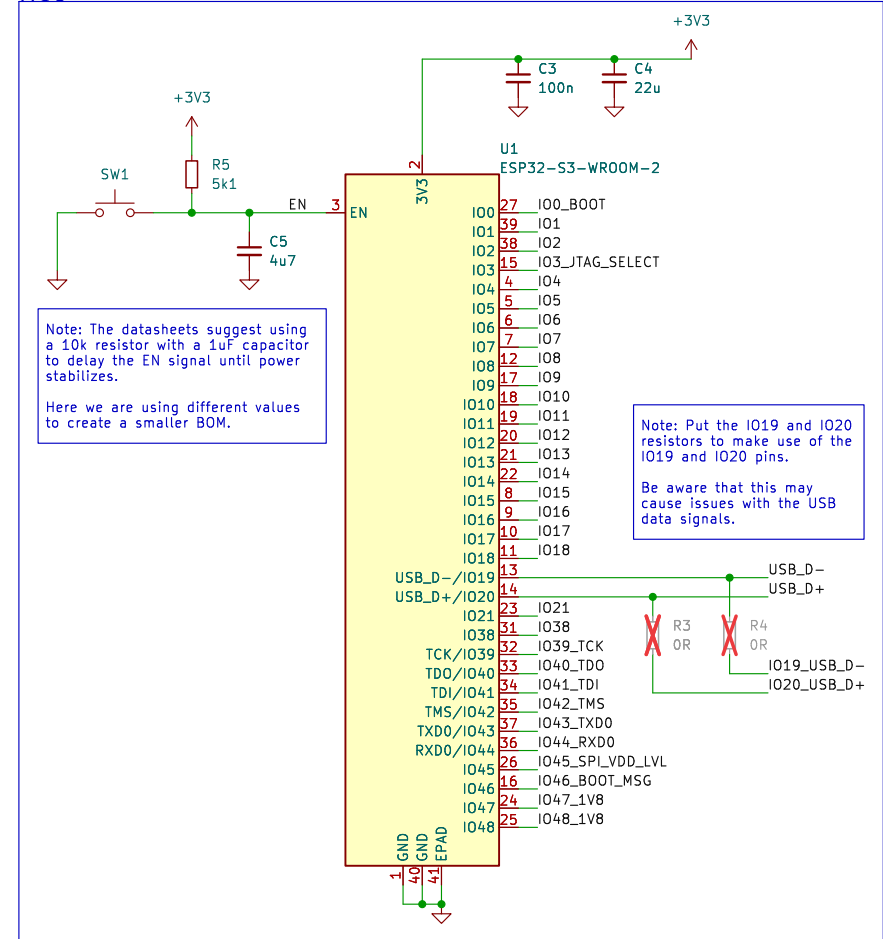
### USB-C Recepticle



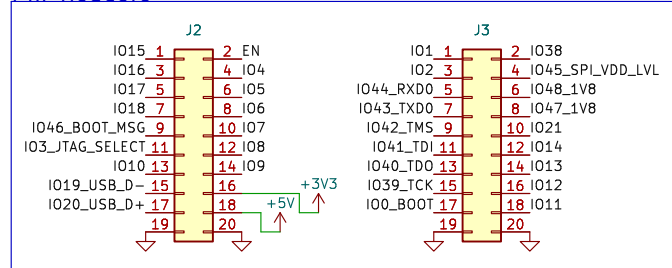
### LDO



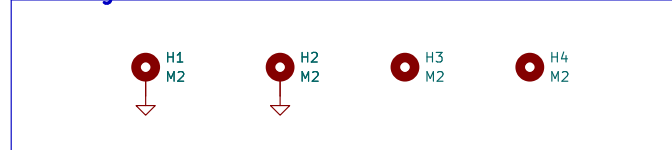
### MCU



### Pin Headers



### Mounting Holes



This work is licensed under a Creative Commons Attribution-ShareAlike 4.0 International License.

Martin Vladkov Sotirov <martin@libtec.org>

LibTec.org

Sheet: /

File: esp32\_s3\_wroom\_2\_board.kicad\_sch

**Title: ESP32-S3-WROOM-2 Board**

Size: A4 Date: 2023-04-23

KiCad E.D.A. kicad 7.0.1

Rev: 4

Id: 1/1