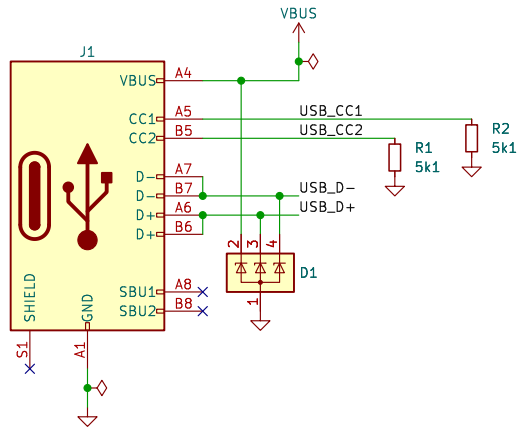
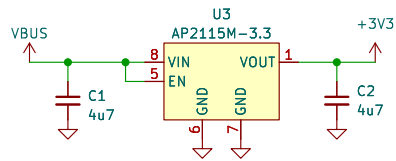


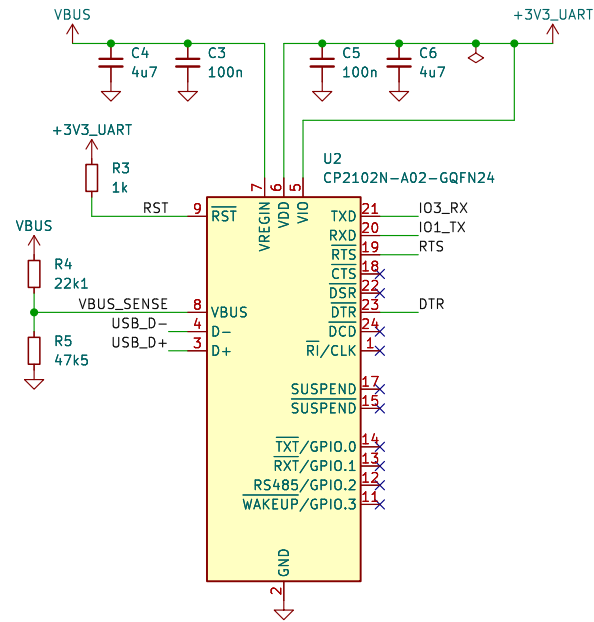
USB-C



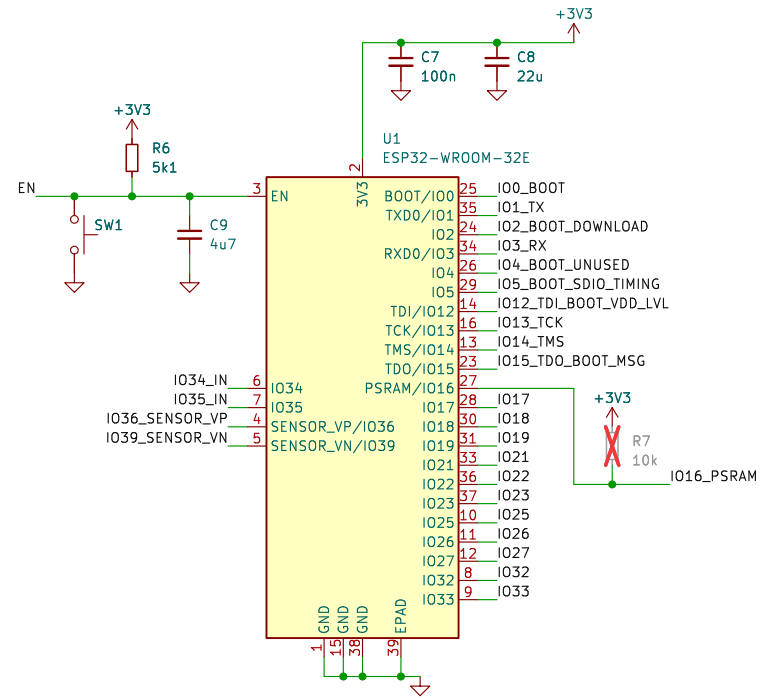
Voltage Regulator



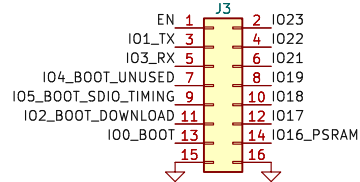
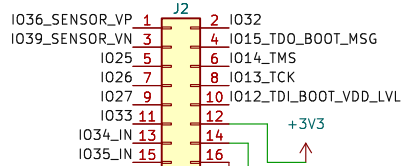
UART



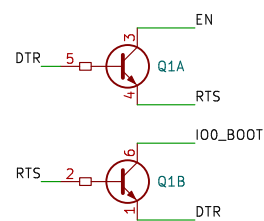
ESP32



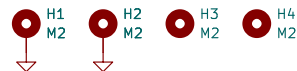
Pin Headers



ESP Flash Logic



Mounting Holes



DTR	RTS	EN	IO0	---
1	1	1	1	---
0	0	1	1	---
1	0	0	1	reset
0	1	1	0	download

This work is licensed under a Creative Commons Attribution-ShareAlike 4.0 International License.

Martin Vladkov Sotirov <martin@libtec.org>

LibTec.org

Sheet: /
File: esp32_wroom_32e_board.kicad_sch

Title: ESP32-WROOM-32E Board

Size: A4 Date: 2023-05-19

KiCad E.D.A. kicad 7.0.1

Rev: 2

Id: 1/1