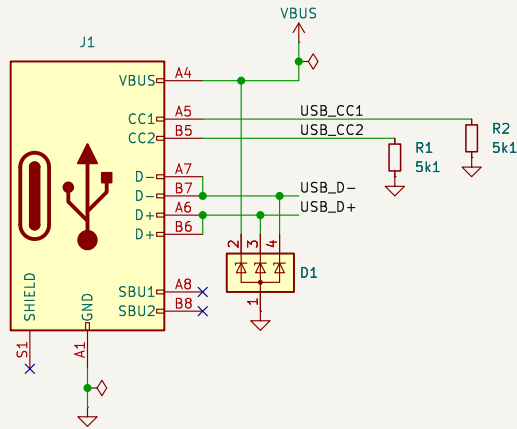
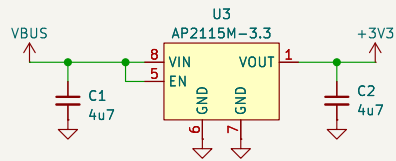


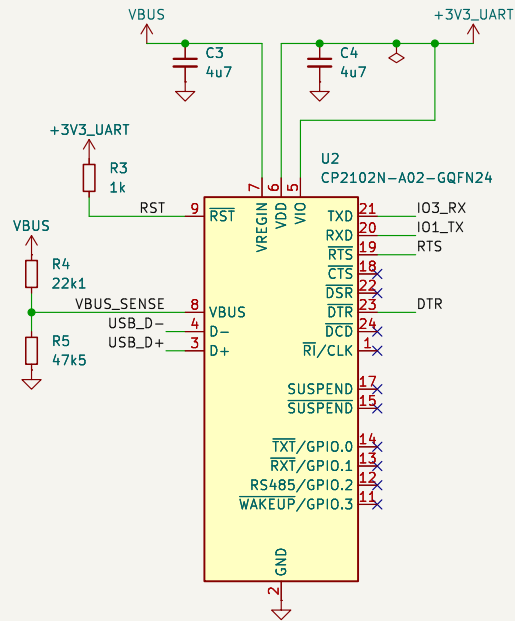
### USB-C



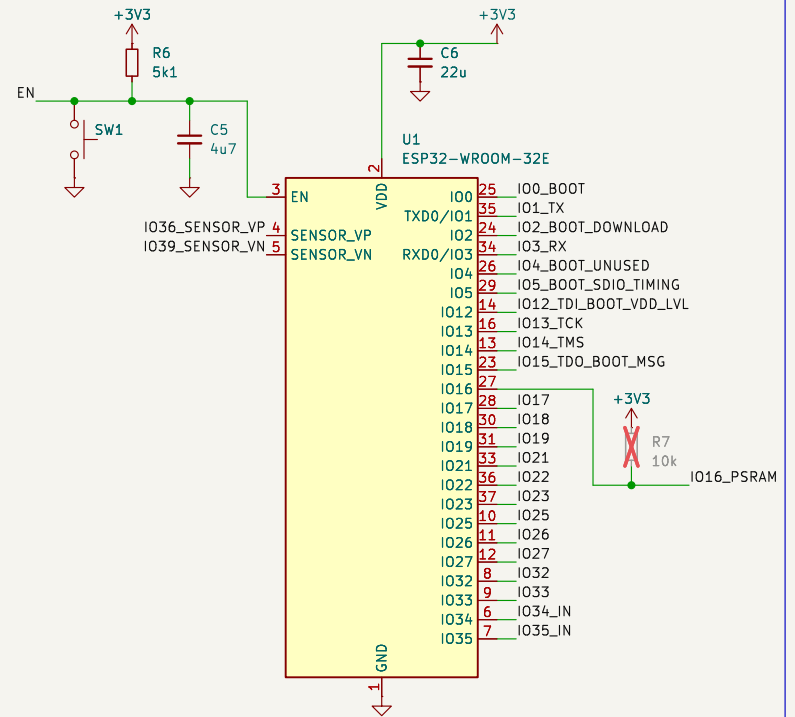
### Voltage Regulator



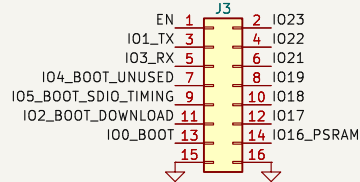
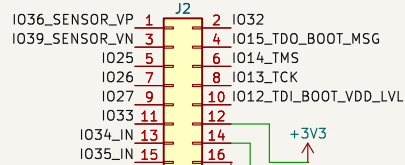
### UART



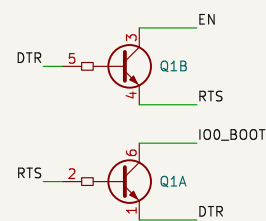
### ESP32



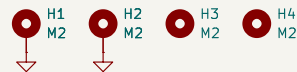
### Pin Headers



### ESP Flash Logic



### Mounting Holes



DTR	RTS	EN	IO0	---
1	1	1	1	---
0	0	1	1	---
1	0	0	1	reset
0	1	1	0	download

This work is licensed under a Creative Commons Attribution-ShareAlike 4.0 International License.

Martin Vladkov Sotirov <martin@libtec.org>

**LibTec.org**

Sheet: /

File: esp32\_wroom\_32e\_board.kicad\_sch

**Title: LBT1000**

Size: A4 Date: 2025-02-18

KiCad E.D.A. 8.0.8

**Rev: 4**

Id: 1/1